

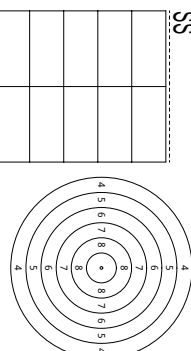
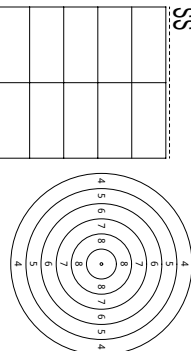
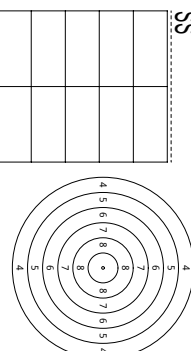
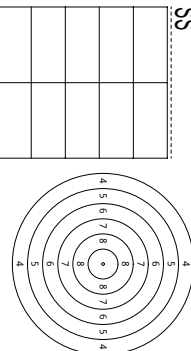
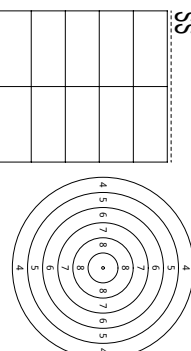
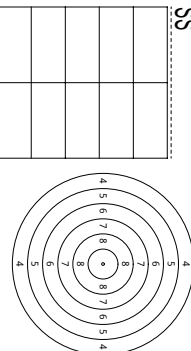
# ASSISTANT PAPER

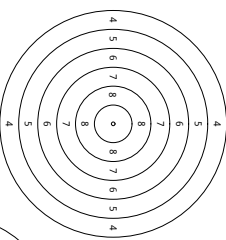
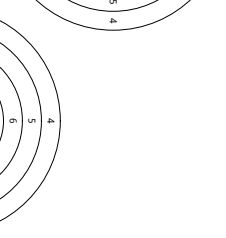
## N. U. R. S. C

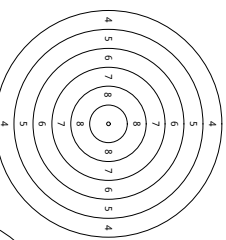
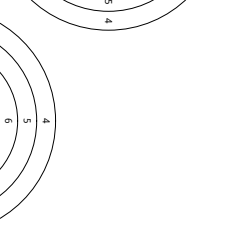
Name \_\_\_\_\_

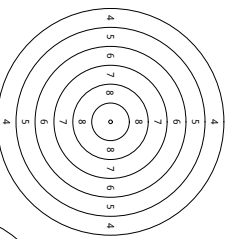
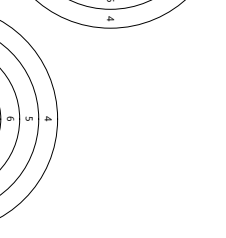
Tournament \_\_\_\_\_ Date \_\_\_\_\_ Weather \_\_\_\_\_

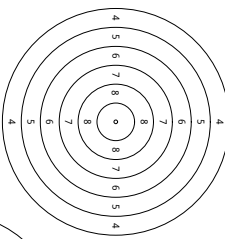
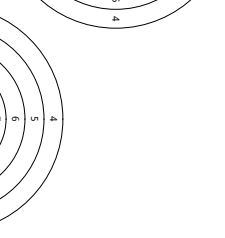
Rifle \_\_\_\_\_ Assistant \_\_\_\_\_ Total \_\_\_\_\_

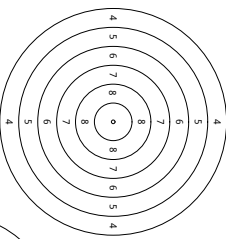
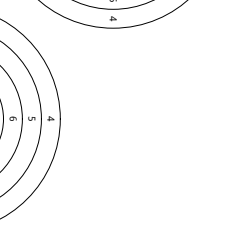
SS	SS
	
	
SS	SS
	

Series Number 1	
1	6
2	7
3	8
4	9
5	10
Subtotal _____	
Minutes _____	
	

Series Number 2	
11	16
12	17
13	18
14	19
15	20
Subtotal _____	
Minutes _____	
	

Series Number 3	
21	26
22	27
23	28
24	29
25	30
Subtotal _____	
Minutes _____	
	

Series Number 4	
31	36
32	37
33	38
34	39
35	40
Subtotal _____	
Minutes _____	
	

Series Number 5	
41	46
42	47
43	48
44	49
45	50
Subtotal _____	
Minutes _____	
	

Series Number 6	
51	56
52	57
53	58
54	59
55	60
Subtotal _____	
Minutes _____	
